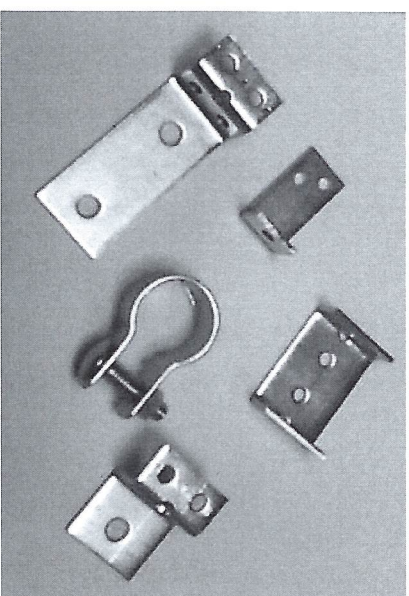


VIKING INC

Awning Installation Hardware
and Supplies



Viking Inc
PO Box 130
2740 E Business 30
Columbia City, IN
46725
260-244-6141

Viking Inc.

QUICK SERVICE ORDER FORM

DATE _____
CUSTOMER NAME _____
SHIP TO ADDRESS _____

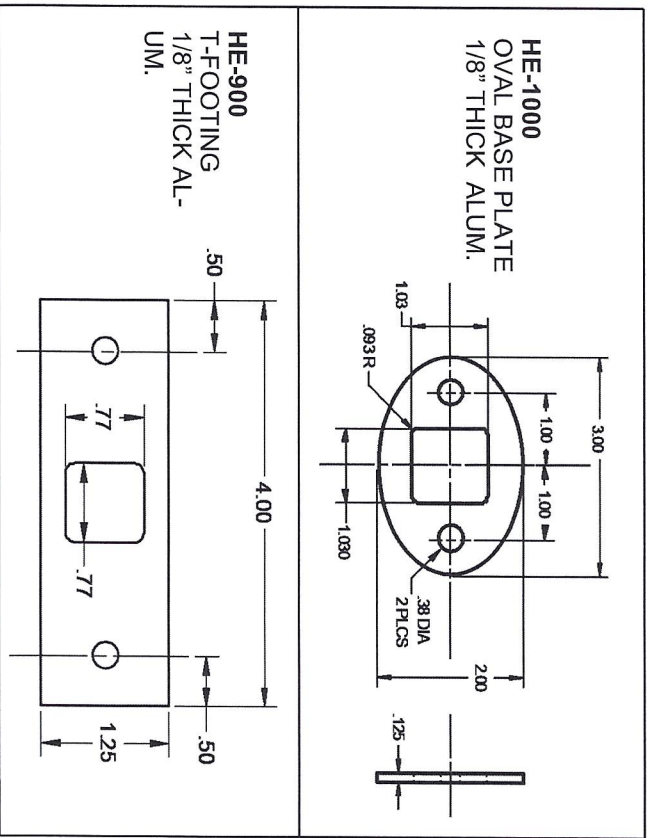
QUANTITY	PART NO.	DESCRIPTION	PRICE	TOTAL COST

Sub-total _____
Discount _____
Shipping _____
Amount Due _____

Viking Inc
PO Box 130
2740 E Business 30
Columbia City, IN
46725
260-244-6141
office@vikinginc.com

Website:
vikinginc.com

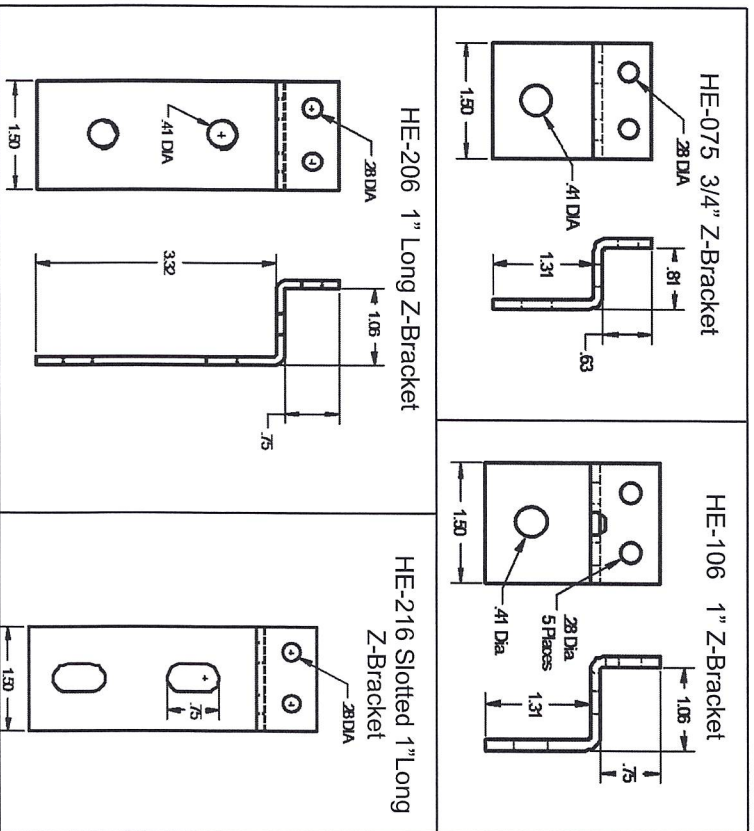
Misc. Parts



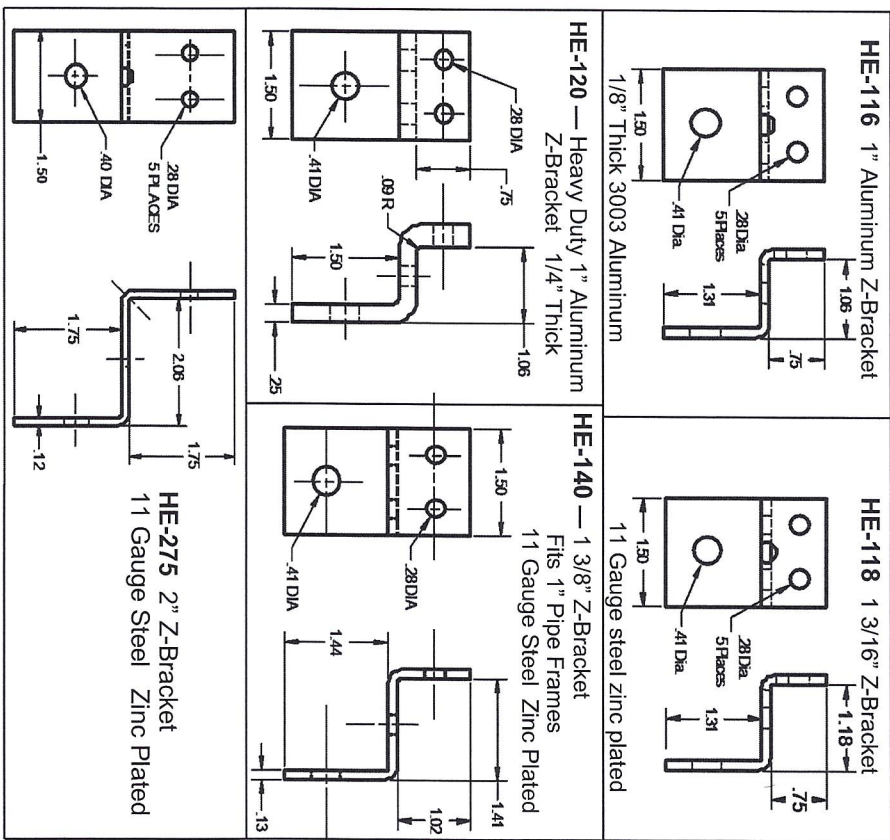
Can't find what you need?
 Give us a call.
 We can custom make a part for
 your special application.

Z-Brackets

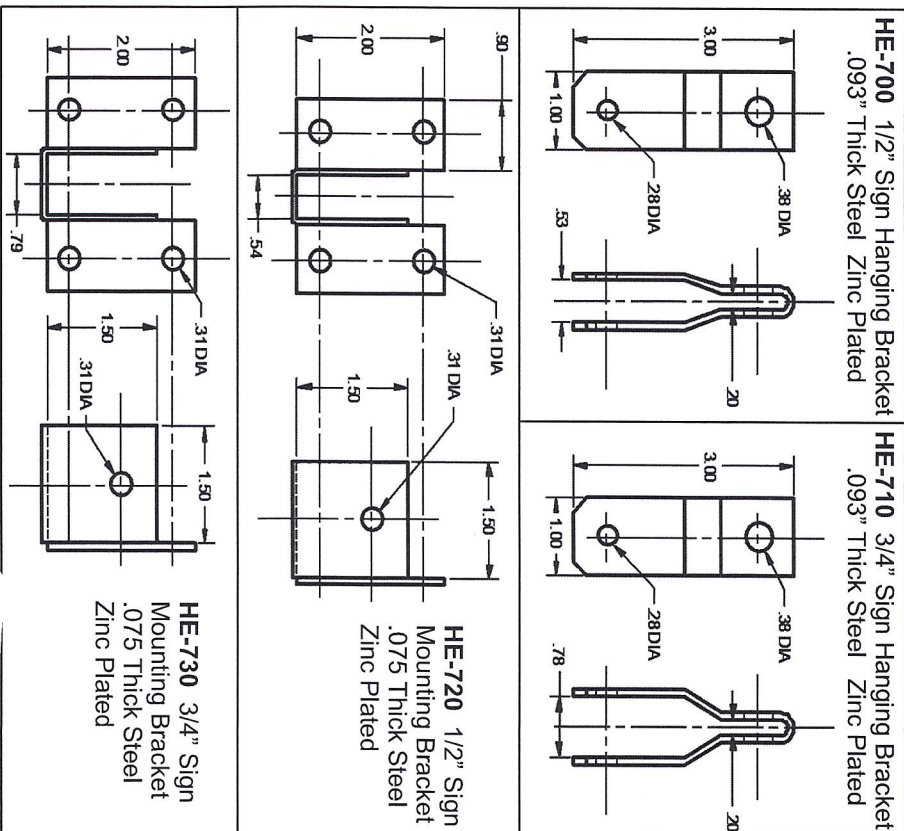
All items on this page are 11 Gauge steel zinc plated



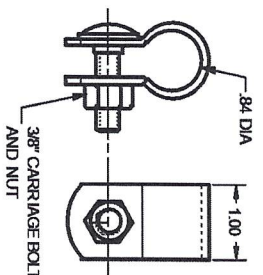
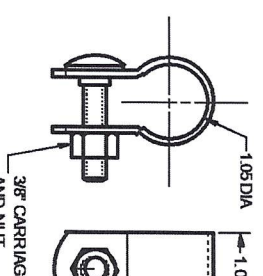
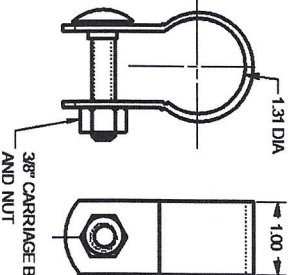
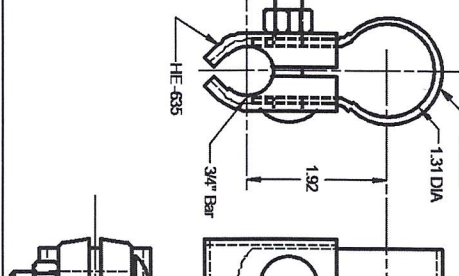
Z-Brackets
 Specials — steel and aluminum brackets.



Sign Brackets
 For use with 1/2" and 3/4" thick sign board.

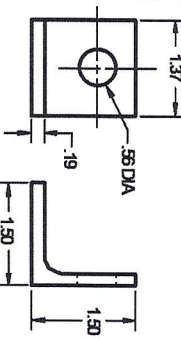
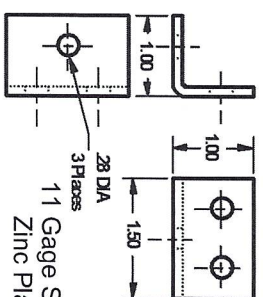
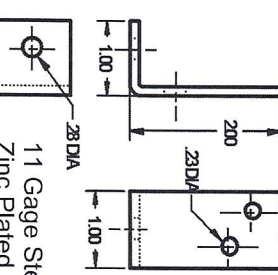
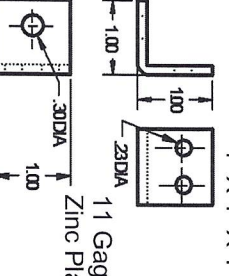
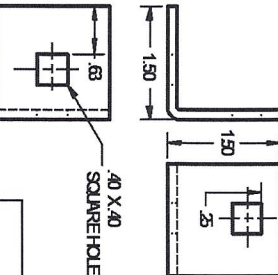


Pipe Clamps and Fittings

<p>HE-610 1/2" Pipe Clamp .093" Thick Steel Zinc Plated</p> 	<p>HE-620 3/4" Pipe Clamp .093 Thick Steel Zinc Plated</p> 
<p>HE-630 1" Pipe Clamp .093" Thick Steel Zinc Plated</p> 	<p>HE-640 Double Bar Tie Down Fitting</p> 

Note: Carriage Bolt and Nut are supplied unassembled on all Pipe Clamps and Fittings.

L-Brackets

<p>HE-2002 L-Bracket 3/16" Thick Angle Iron Zinc Plated</p> 	<p>HE-300 L-Bracket 1" X 1" X 1.5" Wide</p> 
<p>HE-320 L-BRACKET 1" X 2" X 1" WIDE</p> 	<p>HE-350 L-Bracket 1" X 1" X 1" Wide</p> 
<p>HE-315 L-Bracket 1.5" X 1.5" X 1.5" Wide</p>  <p>11 Gage Steel Zinc Plated</p>	

U-Brackets and Plates

<p>HE-400 2" U-Bracket Joining Clip</p> <p>11 Ga. Steel Zinc Plated</p>	<p>HE-450 1" U-Bracket</p> <p>11 Ga. Steel Zinc Plated</p>
<p>HE-460 Hinge</p> <p>11 Gage Steel Zinc Plated</p>	<p>HE-500 Flat Link Plate</p> <p>11 Gage Steel Zinc Plated</p> <p>HE-5002 Weld on Tab</p> <p>3/16" Steel Zinc Plated</p>

Base Plates

<p>HE-540 4" Base Plate 3/16" Thick Steel Unplated</p>	<p>HE-545 4" Base Plate 1/4" Thick Steel Unplated</p>
<p>HE-550 5" Base Plate 3/16" Thick Steel Unplated</p>	<p>HE-555 5" Base Plate 1/4" Thick Steel Unplated</p>
<p>HE-530 3" Base Plate 3/16" Thick Steel Unplated</p>	<p>Part Number</p>